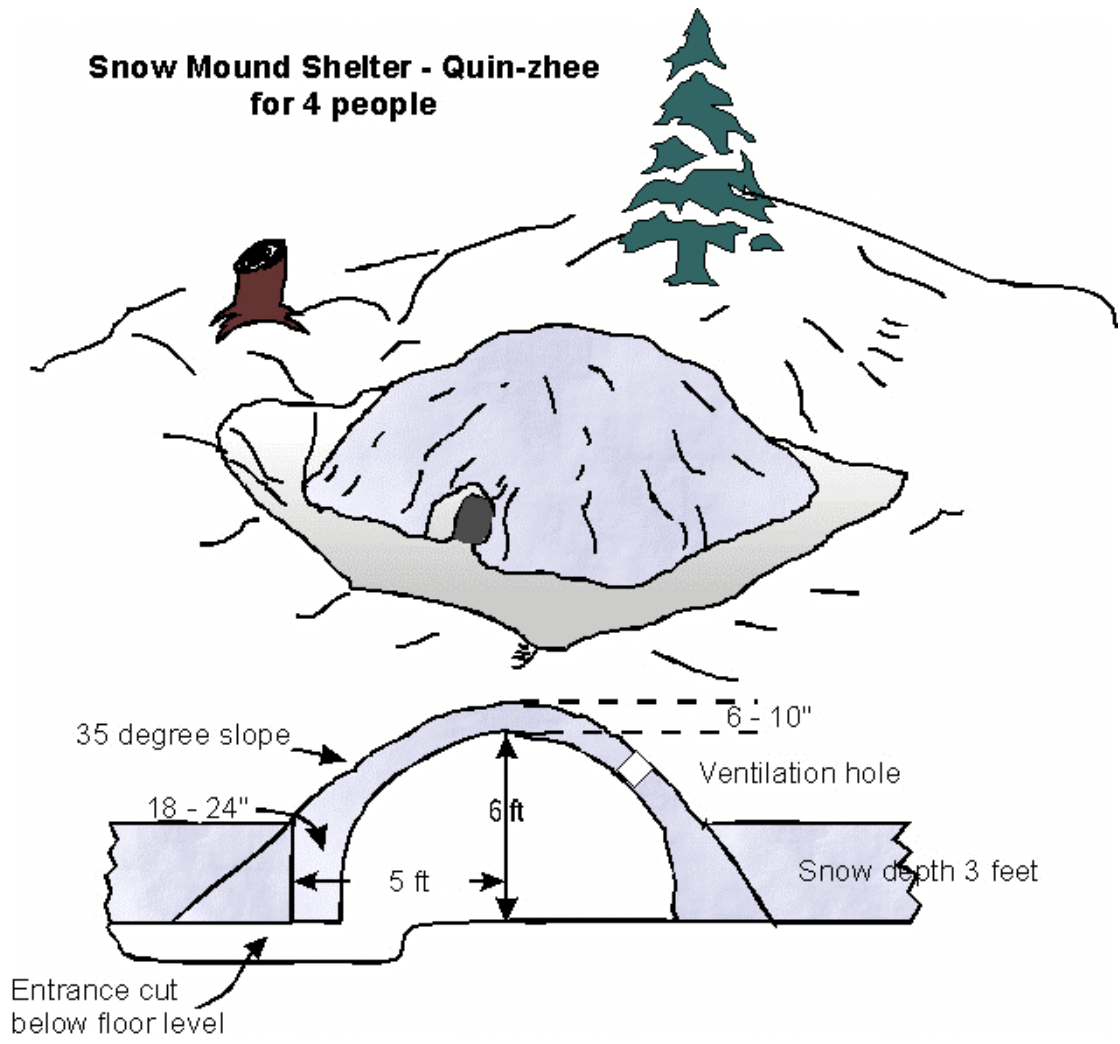
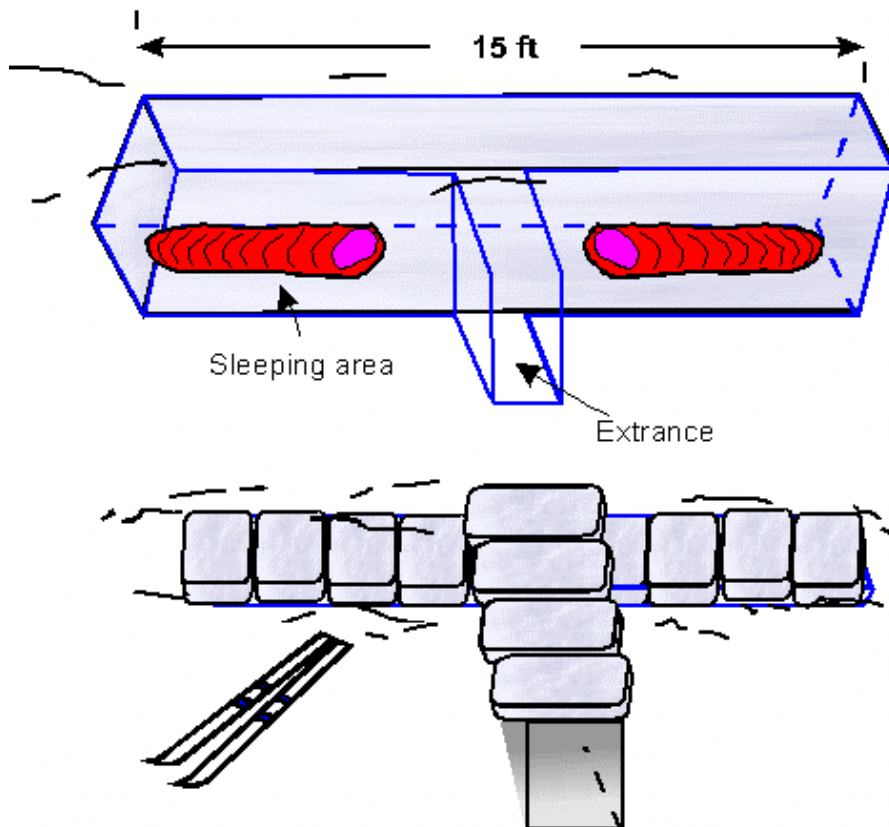


Snow Mound Shelter - Quin-zhee for 4 people

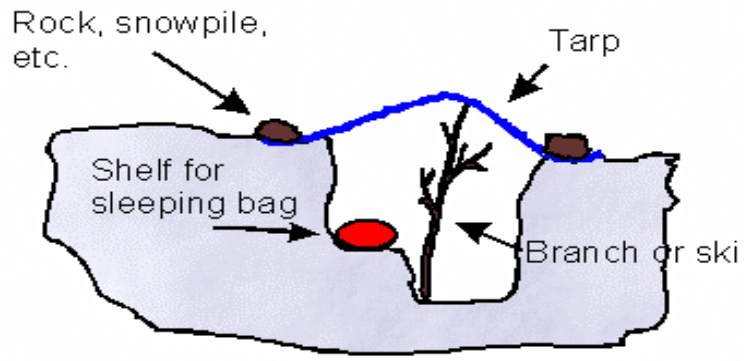


Snow Trench Shelter

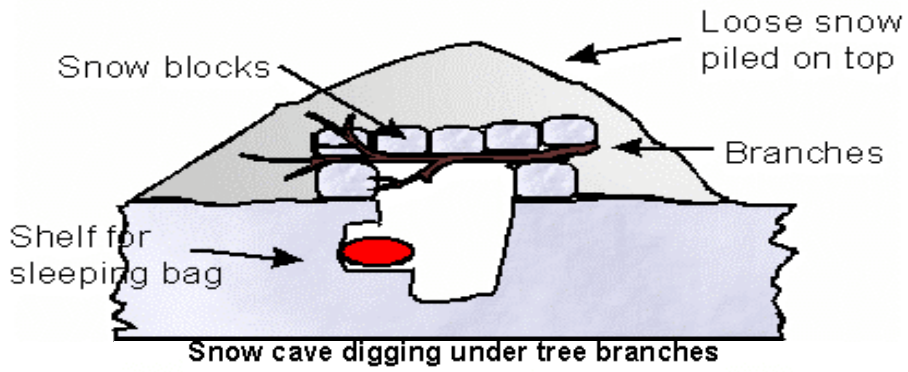


Dig blocks out of the snow to create a T-shaped trench.
Shape the blocks to create the roof.

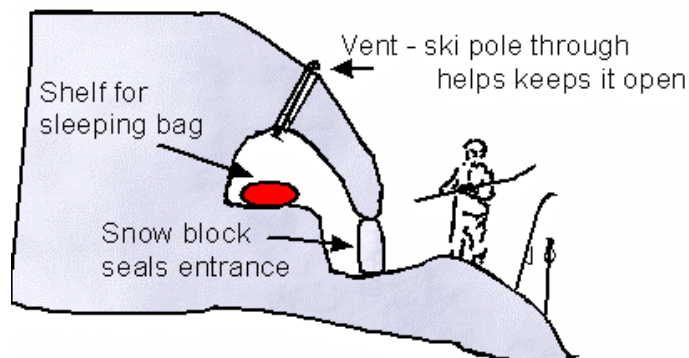
Snow Trench Shelter



Snow Mound Trench Shelter

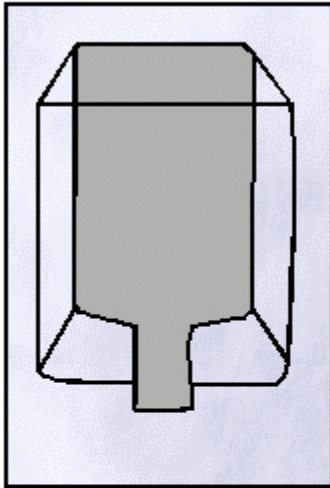


Snow cave on a slope

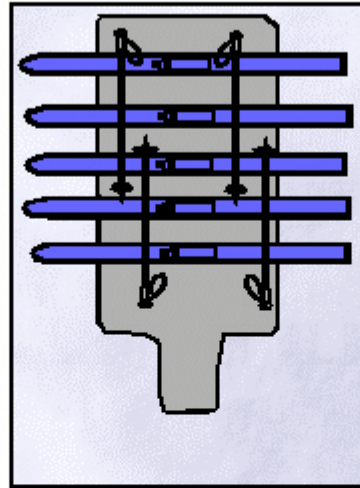


Snow Trench Shelter

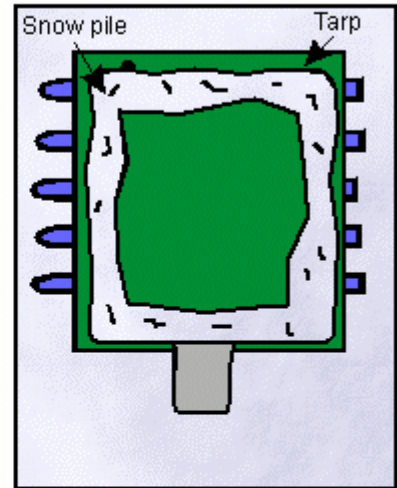
Top view



Dig a trench in the snow. Beveling the walls as you go down makes a bigger sleeping area with a smaller roof opening to cover.

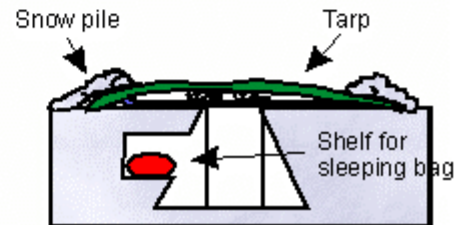
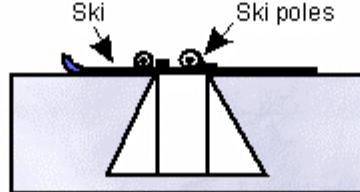
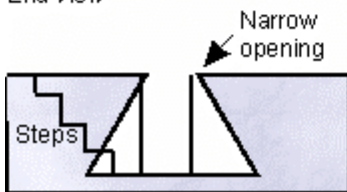


Skis and poles are laid across the trench.



Tarp placed over skis. Snow Piled around perimeter.

End view



Igloo Construction

